



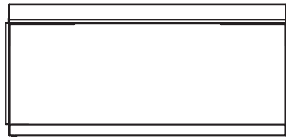
INSTALLATION, OPERATION AND MAINTENANCE MANUAL

MOTION ELECTRIC SERIES

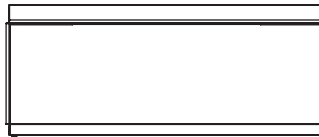
AC 120V 60Hz 1,465W (5,000 BTU's)
(2,930W 10,000 BTU's capable)



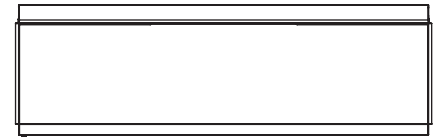
Motion 30
23.2kg, 51lbs



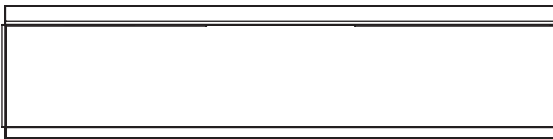
Motion 52
56.2kg, 124lbs



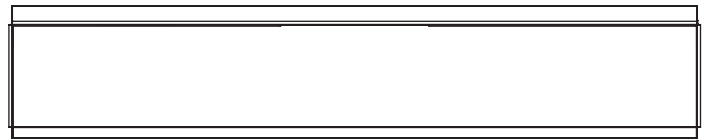
Motion 60
62.75kg, 138.3lbs



Motion 76
79.34kg, 175lbs



Motion 100
105kg, 231.5lbs



Motion 120
126kg, 278lbs

PLEASE READ THESE INSTRUCTIONS COMPLETELY BEFORE OPERATING THE ECOSMART™ FIRE. FAILURE TO FOLLOW THEM COULD CAUSE A HEATER MALFUNCTION RESULTING IN SERIOUS INJURY AND/OR PROPERTY DAMAGE.

WARNING: ALL ELECTRIC HEATERS HAVE HOT AND ARCING OR SPARKING PARTS INSIDE. DO NOT USE IT IN AREAS WHERE GASOLINE, PAINT OR FLAMMABLE LIQUIDS ARE OR ARE STORED.

THIS FIREPLACE MEETS THE CONSTRUCTION AND SAFETY STANDARDS OF H.U.D. FOR APPLICATION IN MANUFACTURED HOMES WHEN INSTALLED ACCORDING TO THESE INSTRUCTIONS.

INSTALLER: LEAVE THIS MANUAL WITH THE APPLIANCE.
CONSUMER: RETAIN THIS MANUAL FOR FUTURE REFERENCE.



Keep this owner's manual for future references. If you sell or give this product away, make sure this manual accompanies this product.

Important Instructions

WARNING: Improper installation, adjustment, alteration, service or maintenance can cause injury or property damage. Refer to this manual. For assistance or additional information, consult a qualified installer.

CAUTION: Do not expose the heater to the elements (such as rain, etc).

Do not place clothing or other flammable material on or near firebox. Never place any objects on the fireplace.

Carefully supervise young children when they are in the room with fireplace.

Fireplace becomes very hot when running. Keep children and adults away from hot surfaces to avoid burns or clothing ignition. Fireplace will remain hot for a time after shutdown. Allow surfaces to cool before touching.

CAUTION: In order to avoid overheating, do not cover the heater.

Use a dedicated 20 Amp (or higher), 2-pole (for 10,000 BTUs) circuit breaker.

When using electrical heaters, basic precautions should always be followed to reduce the risk of fire, electric shock and injury to persons, including the following:

1. Read all instructions before installing or using this heater.
2. This heater is hot when in use. To avoid burns, do not let bare skin touch hot surfaces. Keep combustible materials, such as furniture, pillows, bedding, papers, clothes, and curtains at least 3 feet (0.9m) from the front of the heater and keep them away from the sides and rear.
3. Extreme caution is necessary when any heater is used by or near children or invalids and whenever the heater is left operating and unattended.
4. Do not operate any heater after it malfunctions. Disconnect power at service panel and have heater inspected by a reputable electrician before using.
5. Do not use outdoors.
6. To disconnect heater, turn controls to off and turn off power to heater circuit at main disconnect panel.
7. Do not insert or allow foreign objects to enter any ventilation or exhaust opening as this may cause an electric shock or fire, or damage the heater.
8. To prevent a possible fire, do not block air intakes or exhaust in any manner.
9. A heater has hot and arcing or sparking parts inside. Do not use it in areas where gasoline, paint or flammable vapors or liquids are used or stored.
10. Use this heater only as described in this manual. Any other use not recommended by the manufacturer may cause fire, electric shock or injury to persons.

11. SAVE THESE INSTRUCTIONS

FCC CAUTION

This device complies with part 15 of the FCC Rules. Operation is subject to the following two conditions: (1) this device may not cause harmful interference, and (2) this device must accept any interference received, including interference that may cause undesired operation.

Any changes or modifications not expressly approved by the party responsible for compliance could void the user's authority to operate the equipment.

NOTE: This equipment has been tested and found to comply with the limits for a Class B digital device, pursuant to Part 15 of the FCC Rules. These limits are designed to provide reasonable protection against harmful interference in a residential installation. This equipment generates, uses and can radiate radio frequency energy and, if not installed and used in accordance with the instructions, may cause harmful interference to radio communications. However, there is no guarantee that interference will not occur in a particular installation.

If this equipment does cause harmful interference to radio or television reception, which can be determined by turning the equipment off and on, the user is encouraged to try to correct the interference by one or more of the following measures:

- Reorient or relocate the receiving antenna.
- Increase the separation between the equipment and receiver.
- Connect the equipment into an outlet on a circuit different from that to which the receiver is connected.
- Consult the dealer or an experienced radio/TV technician for help.

To maintain compliance with FCC's RF exposure guidelines, this equipment should be installed and operated with minimum distance between 20cm from the radiator and your body: Use only the supplied antenna.

Table of Contents

Contents

Preparation	2
Installation and Assembly	3
Glass Removal / Installation	4
Built-in Installation Styles	5
Built-in Installation Framing	6
Built-in Installation	7
Partial Recess Installation	9
Wall Mounted Installation	11
Hardwiring Installaion	12
Driftwood Logs and Crushed Glass Installation	14
Operation	15
Operation – Touch Control Panel	17
Operation - Remote Control	18
Operation - Important Warnings	20
Care and Maintenance	21
Replacement Parts List	22
Troubleshooting / FAQ	24

Preparation




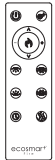




This product includes a GLASS panel. Always use extreme caution when handling glass. Failure to do so could result in personal injury or property damage.

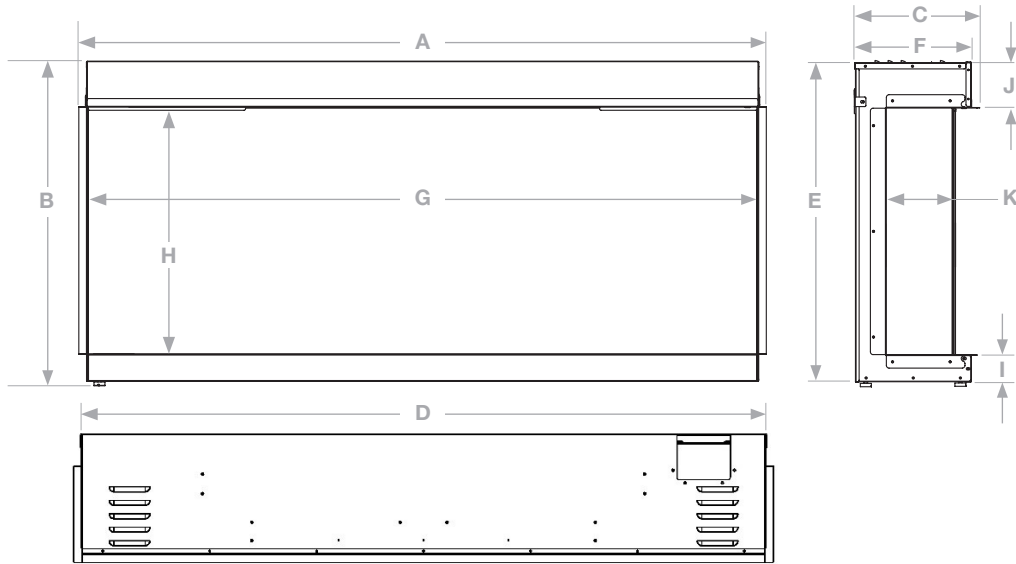
Remove all parts and hardware from the carton and place them on a clean, soft, dry surface. Parts and assembly steps are grouped for wall-hanging or recessing use. Check the parts list to make sure nothing is missing. Dispose of packaging materials properly. Please recycle whenever possible.

You will need the following tools (not included): Phillips screwdriver, stud finder, level, tape measure, electric drill, 1/4" wood drill bit, hammer.

Parts and Hardware

						
Part Number	A	B	C	D	E	F
Description	Screws (Long)	Drywall Anchor	Screws (Short)	Remote Control	Crushed Glass	Driftwood Logs

Installation and Assembly



Dimensions and Specifications

Model	A	B	C	D	E	F	G	H	I	J	K
Motion 30	30" 762 mm	24-5/16" 618 mm	9-9/16" 240 mm	29-1/8" 740 mm	23-7/8" 606 mm	8-15/16" 224 mm	28-5/8" 727 mm	18-7/16" 468 mm	2" 52 mm	3-7/16" 87 mm	5-3/16" 132 mm
Motion 52	51-1/2" 1308 mm	24-5/16" 618 mm	9-9/16" 240 mm	50-5/8" 1286 mm	23-7/8" 606 mm	8-15/16" 224 mm	50-1/8" 1274 mm	18-7/16" 468 mm	2" 52 mm	3-7/16" 87 mm	5-3/16" 132 mm
Motion 60	60" 1524 mm	24-5/16" 618 mm	9-9/16" 240 mm	59-1/8" 1502 mm	23-7/8" 606 mm	8-15/16" 224 mm	58-5/8" 1490 mm	18-7/16" 468 mm	2" 52 mm	3-7/16" 87 mm	5-3/16" 132 mm
Motion 76	75-3/4" 1925 mm	24-5/16" 618 mm	9-9/16" 240 mm	74-15/16" 1904 mm	23-7/8" 606 mm	8-15/16" 224 mm	74-7/16" 1891 mm	18-7/16" 468 mm	2" 52 mm	3-7/16" 87 mm	5-3/16" 132 mm
Motion 100	100" 2542 mm	24-5/16" 618 mm	9-9/16" 240 mm	99-1/4" 2521 mm	23-7/8" 606 mm	8-15/16" 224 mm	98-3/4" 2508 mm	18-7/16" 468 mm	2" 52 mm	3-7/16" 87 mm	5-3/16" 132 mm
Motion 120	124-3/8" 3159 mm	24-5/16" 618 mm	9-9/16" 240 mm	123-1/2" 3137 mm	23-7/8" 606 mm	8-15/16" 224 mm	123" 3125 mm	18-7/16" 468 mm	2" 52 mm	3-7/16" 87 mm	5-3/16" 132 mm

Installation and Assembly

Your appliance is a wall-mounted, recessed, and/or mantel installed appliance. Select a suitable location that is not susceptible to moisture and is away from drapes, furniture, and high traffic areas.

NOTE: Follow all National and local electrical codes.

Minimum Clearances to Combustibles

Measurements are taken from the glass front.	
Bottom - 0"	Top (to mantel) - 11.8" (300mm)
Sides - 0"	Top (to TV) - 11.8" (300mm)
Back - 0"	Top (to ceiling) - 11.8" (300mm)

Glass Removal / Installation



This product includes a GLASS panel. Always use extreme caution when handling glass. Failure to do so could result in personal injury or property damage.

Removing Front Glass

- With one hand on the front glass to prevent it from falling, remove the six screws (three per side) and two brackets (one per side) from the underside of the viewing area of the fireplace. (Fig. 1-1). Set the screws and brackets aside.
- Carefully tilt the top edge of the glass away from the appliance (Fig. 1-2). Once the top edge of the glass is free from the fireplace, lift on the glass to fully remove it. Place the glass on a soft, non-abrasive surface. For the larger configurations, it may require multiple people to safely remove the glass.
- Reverse these steps to re-install the front glass.

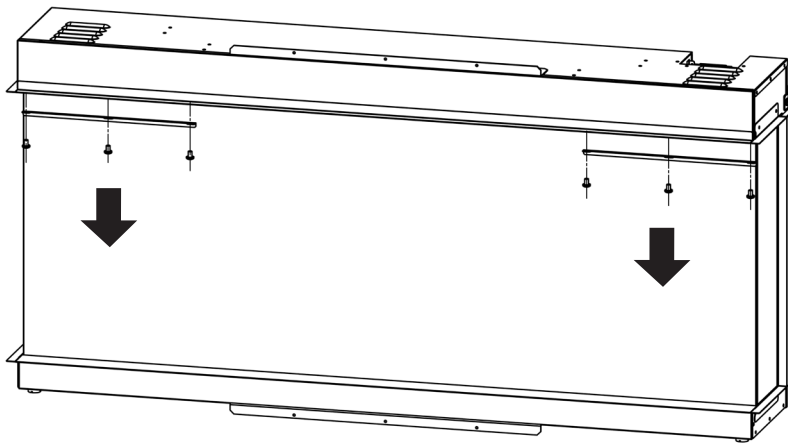


Fig. 1-1

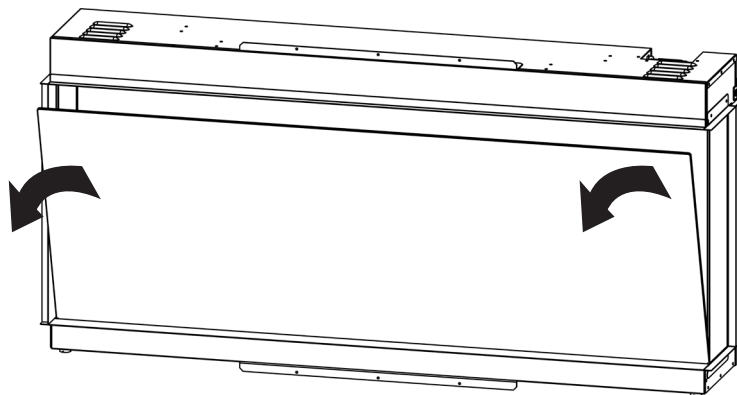
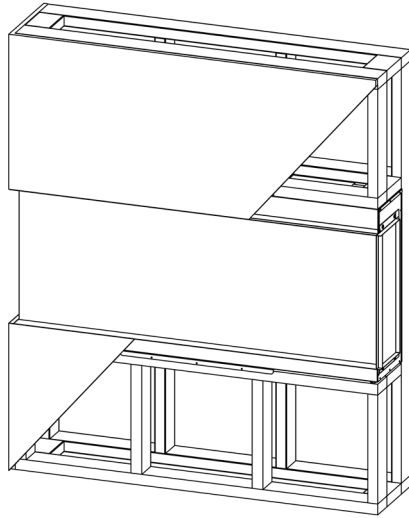


Fig. 1-2

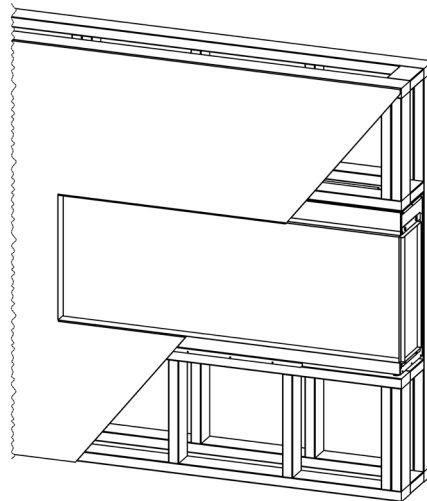
Built-in Installation Styles

Optional Built-In styles shown below. See “Partial Recess Installation” or “Wall Mounted Installation” for additional mounting styles.

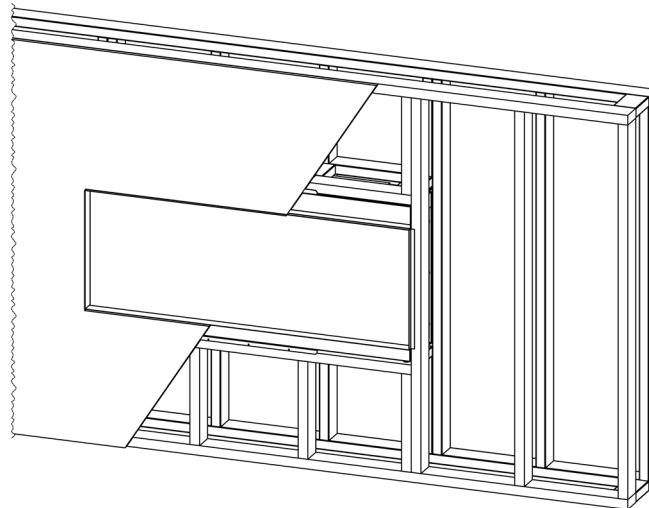
Motion Bay
(3 Open Sides)



Motion Left Corner
(2 Open Sides:
Front and Left Corner)



Motion Right Corner
(2 Open Sides:
Front and Right Corner)



Motion Single Sided
(1 Open Side)

Use a dedicated 20 Amp (or higher), 2-pole (for 10,000 BTUs) circuit breaker.

Built-in Installation Framing

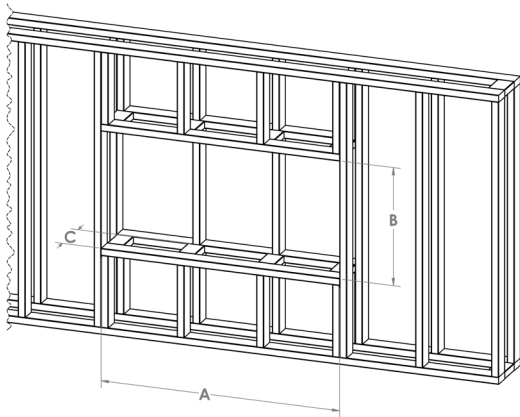


Due to the different materials used on different walls, it is highly recommended for you to consult with your local builder before you install this electric fireplace.

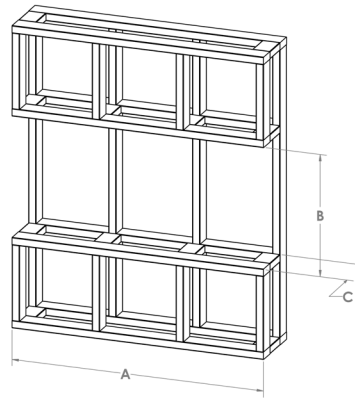


Before cutting any custom finishes (i.e. granite, marble, veneer, etc.) it is recommended to double check the dimensions of the actual fireplace.

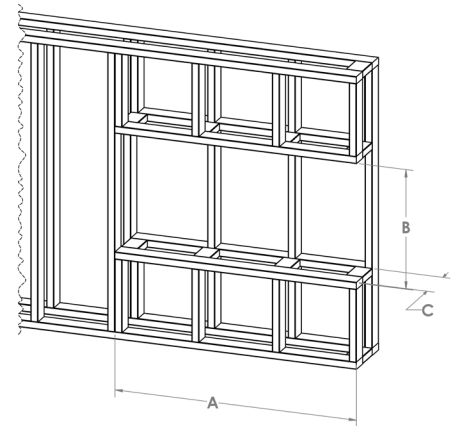
- Select a location that is not prone to moisture and is located at least 36" (914mm) away from combustible materials such as curtain drapes, furniture, bedding, paper, etc.
- Measure the appliance and create a rough-in frame with electrical (see "Rough Opening Framing Dimensions"). Electrical to be at the top right of the rough-in framing.
- Remove the front glass (see "Glass Removal/Installation" section).
- Hold the appliance up to ensure it will fit into the framing.



Motion Single Sided



Motion Bay



Motion Right Corner

Rough Opening Framing Dimensions (For Built-in Installation)				
Model Number	A (Single Sided)	A (Bay/Left & Right Corner)	B	C (Fully Recessed)
Motion 30	29-1/4" (743 mm)	29-1/8" (740 mm)	24-3/4" (629 mm)	9" min. (229 mm min.)
Motion 52	51" (1295 mm)	50-5/8" (1286 mm)	24-3/4" (629 mm)	9" min. (229 mm min.)
Motion 60	59-1/2" (1511 mm)	59-1/8" (1502 mm)	24-3/4" (629 mm)	9" min. (229 mm min.)
Motion 76	75-1/4" (1911 mm)	74-15/16" (1904 mm)	24-3/4" (629 mm)	9" min. (229 mm min.)
Motion 100	99-1/2" (2527 mm)	99-1/4" (2521 mm)	24-3/4" (629 mm)	9" min. (229 mm min.)
Motion 120	124" (3150 mm)	123-1/2" (3137 mm)	24-3/4" (629 mm)	9" min. (229 mm min.)

Built-in Installation

- Determine the desired installation style (see “Built-In Installation Styles”).
 - i. See “Wall Mounted Installation” for wall mounting the fireplace.
 - ii. See “Partial Recessed Installation” for partial recessing the fireplace.
- Prepare the framed opening according to the “Framed Opening Dimensions” chart and the installation style that was selected. Ensure an appropriate dedicated power circuit is provided at the top right of the framed opening.
- Remove the front glass. See “Glass Removal/Installation”.
- Install the “L” Metal Nailing Flanges to both the top and bottom of the fireplace (Fig. 2-1). Quantities of “L” Metal Nailing Flanges will change depending on fireplace size ordered. Note that the location of the “L” bracket will change if partial installation is chosen.

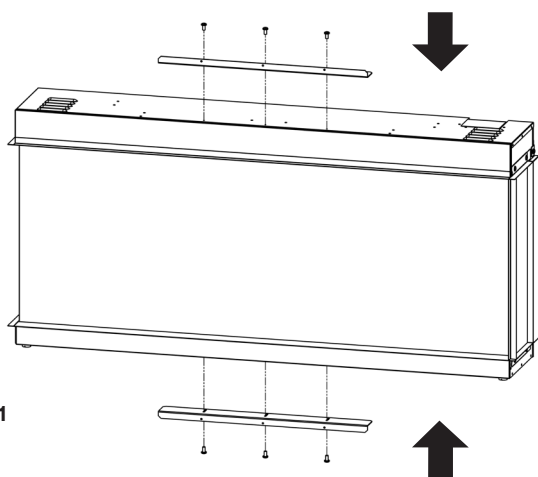
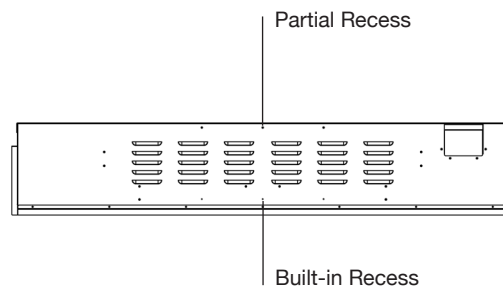


Fig. 2-1



Built-in Installation (Continued)

- Hardwire the fireplace to the dedicated power circuit (see “Hardwiring Installation”).
- Install the fireplace in the framed opening. Adjust the adjustable feet as needed to ensure the fireplace is level.
- Fasten the fireplace to the framing using the “L” Metal Nailing Flanges and drywall screws that have a minimum length of 1-1/4” (Fig 2-2).
- Mask the exposed viewing area of the fireplace prior to texturing/finalizing the framed wall.
- Decorate according to media installation guide.
- Install the front glass. See “Glass Removal/Installation.”

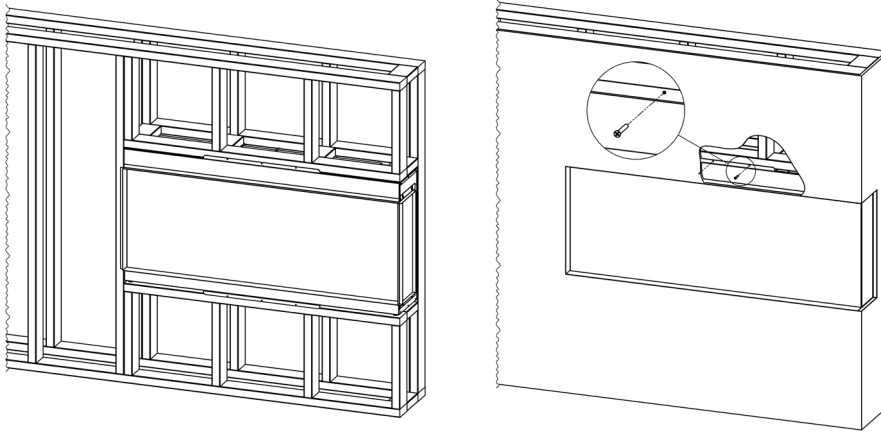


Fig. 2-2

Partial Recess Installation

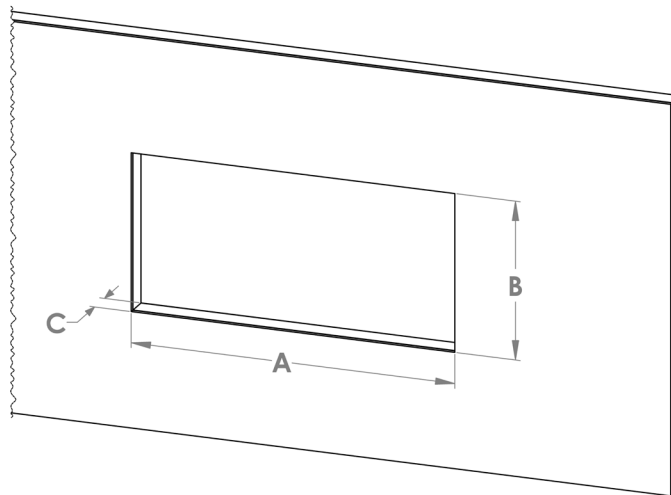


Due to different materials used on different walls, it is highly recommended for you to consult with your local builder before you install this electric fireplace.



Before cutting any custom finishes (i.e. granite, marble, veneer, etc.) it is recommended to double check the dimensions of the actual fireplace.

NOTE: Use a dedicated 20 Amp (or higher), 2-pole (for 10,000 BTUs) circuit breaker.



Finished Opening Framing Dimensions (For Partial Recess Installation)

Model Number	A	B	C (Partial Recessed)
Motion 30	29-7/16" (748 mm)	24-9/16" (624 mm)	2-5/8" min. (67 mm min.)
Motion 52	50-15/16" (1294mm)	24-9/16" (624mm)	2-5/8" min. (67mm min.)
Motion 60	59-7/16" (1510mm)	24-9/16" (624mm)	2-5/8" min. (67mm min.)
Motion 76	75-3/16" (1910mm)	24-9/16" (624mm)	2-5/8" min. (67mm min.)
Motion 100	99-1/2" (2527mm)	24-9/16" (624mm)	2-5/8" min. (67mm min.)
Motion 120	123-13/16" (3145mm)	24-9/16" (624mm)	2-5/8" min. (67mm min.)

- Prepare the finished opening according to the "Finished Opening Framing Dimensions" chart for partial recessed. Ensure an appropriate dedicated circuit is provided at the top right of the framed opening.
- Remove the front glass. See "Glass Removal/Installation".
- Install the "L" Metal Nailing Flanges to both the top and bottom of the fireplace (Fig. 3-1). Quantities of "L" Metal Nailing Flanges will change depending on fireplace size ordered. Note that the location of the "L" bracket will change for partial installation.

Partial Recess Installation (Continued)

- Hardwire the fireplace to the dedicated circuit (see “Hardwiring Installation”).
- Install the fireplace in the framed opening. Adjust the adjustable feet as needed to ensure the fireplace is level (Fig. 3-1).

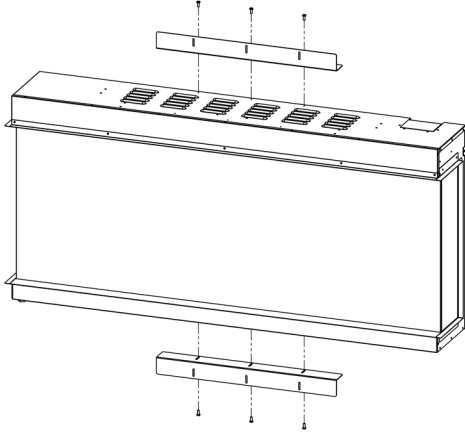
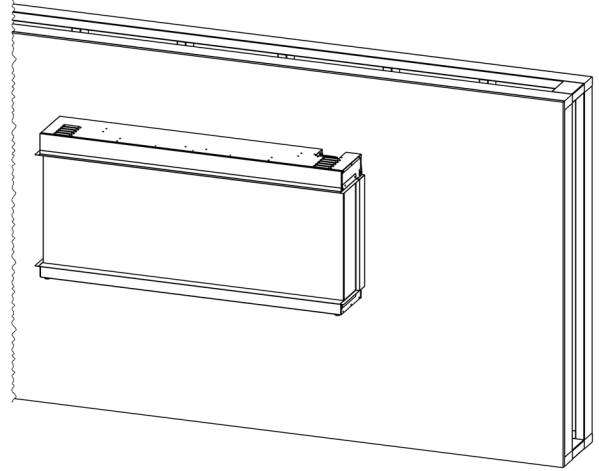


Fig. 3-1

- Mask the exposed viewing area of the fireplace prior to texturing/ finalizing the framed wall.
- Decorate according to media installation guide.
- Install the front glass. See “Glass Removal/Installation.”
- Additional construction is required to finish off the fireplace.



- Fasten the fireplace to the framing using the “L” Metal Nailing Flanges and drywall screws that have a minimum length of 1-1/4” (Fig. 3-3).

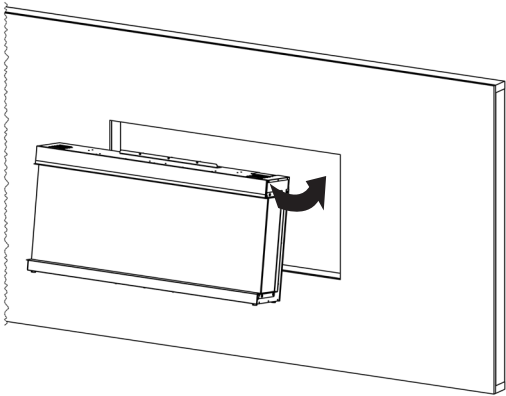


Fig. 3-2

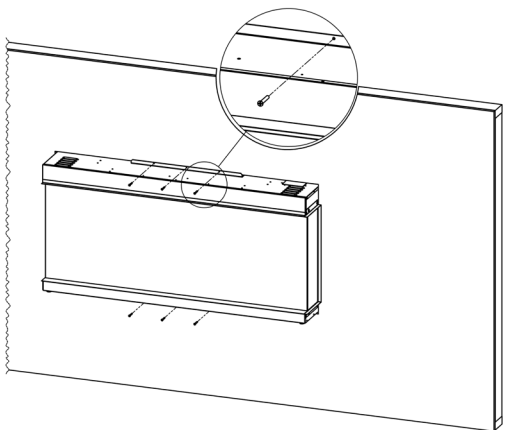


Fig. 3-3

Wall Mounted Installation



Due to the different materials used on different walls, it is highly recommended for you to consult with your local builder before you install this electric fireplace.

NOTE: Use a dedicated 20 Amp (or higher), 2-pole (for 10,000 BTUs) circuit breaker.

- Select a location that is not prone to moisture and is located at least 36" (914mm) away from combustible materials such as curtain drapes, furniture, bedding, paper, etc.
- Have two people hold the appliance against the wall to determine the final location.
- Place the unit down on a soft, non-abrasive surface.
- Remove the wall bracket from the back of the unit by removing the screws (Fig. 4-1). Set screws aside. For best results, keep the side skirts installed onto the fireplace.

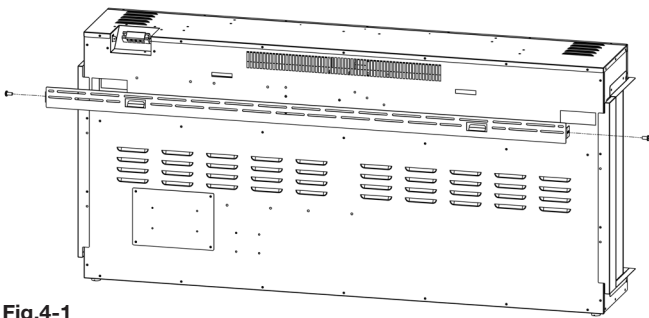


Fig.4-1

- After you have selected a suitable location for wall mounting, locate the studs on the wall. You must be able to secure to a minimum of 2 studs for proper installation of the bracket.



FAILURE TO DO SO CAN RESULT IN PERSONAL INJURY AND/OR DAMAGE TO EQUIPMENT.

- Using the wall bracket as a guide, mark the mounting hole locations.
- This bracket **MUST** have the hooks facing upward and be level (Fig. 4-2).
- Additional support is provided by using the included wall anchors (B) between the studs.
- Additional wall anchors must be installed prior to the wall bracket being mounted.
 - i. To install additional wall anchors, pre-drill (optional) all locations with a 1/8" drill bit.
 - ii. Install the wall anchors with a Philips tip screwdriver.

- Install the wall bracket to the studs using #8 – 1-5/8" (A) screws and to the wall anchors with a #8 – 1" screws (C).

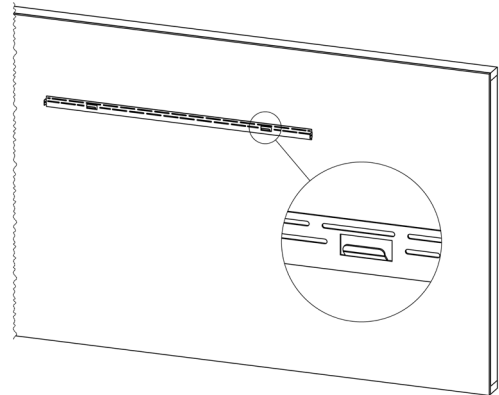


Fig.4-2

- With the wall mounting bracket installed, have two people lift the appliance up and insert the two hooks of the wall bracket into the two receiver slots on the back of the appliance (Fig. 4-3).
- Re-insert the two wall mount bracket screws that were removed previously.
- Check the appliance for stability ensuring the bracket will not pull free from the wall.
- Wall Mount Cabinet Suite (sold separately) may now be installed.

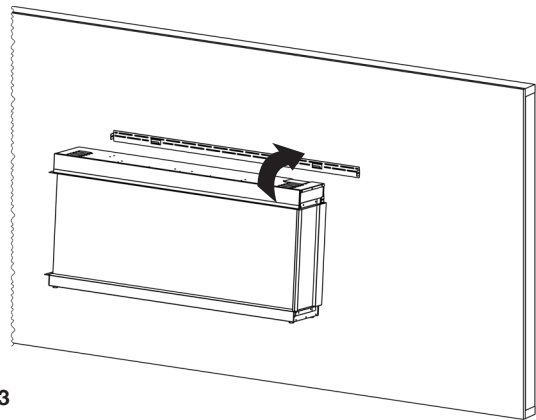
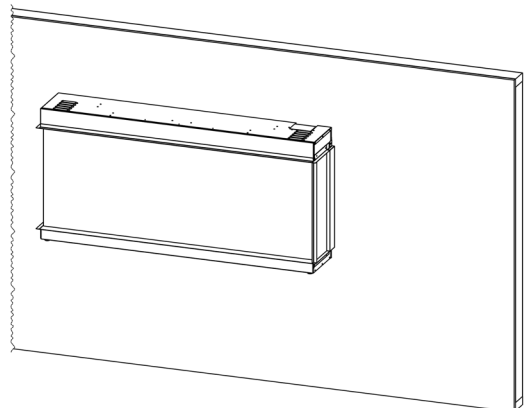


Fig.4-3



Hardwiring Installaion

A qualified electrician must wire this fireplace to a dedicated 110 ~ 120 volt, 20 amps, circuit.

NOTE: Use a dedicated 20 Amp (or higher), 2-pole (for 10,000 BTUs), breaker is required.

The appliance must be electrically connected and grounded in accordance with local codes. In the absence of local codes, use the current CSA C22.1 Canadian Electrical Code in Canada or the current ANSI/NFPA 70 National Electrical Code in the USA.



TURN OFF POWER FROM THE CIRCUIT BREAKER FIRST

- Ensure power from the circuit breaker is off.
- Remove the 2 securing screws from the junction box cover plate, located on the top left-hand, back- side of the appliance (Fig. 5-1).
- From the power supply wire, connect the green/bare copper wire to ground (**G**), the white wire to neutral (**N**), and the black wire to Line1 (**L1**) (Fig. 5-2).
- L2 Terminal is for 220-240V only.
- Resecure the junction box cover plate using the 2 screws previously removed.

120 Volt Power (5,000 BTUs):

Note

Only 3 terminals will be used in the appliance junction box (Fig 5-1): white (neutral), black (power L1), and green/bare (ground) that are connected to 120V power source (circuit breaker panel).

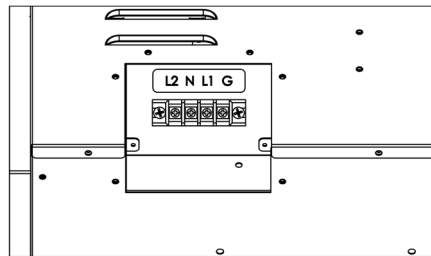
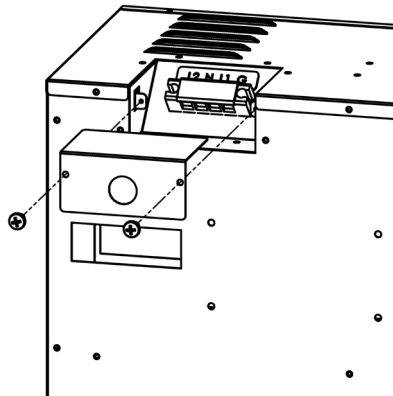


Fig. 5-1

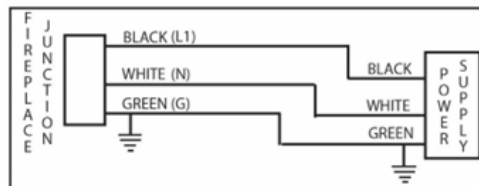
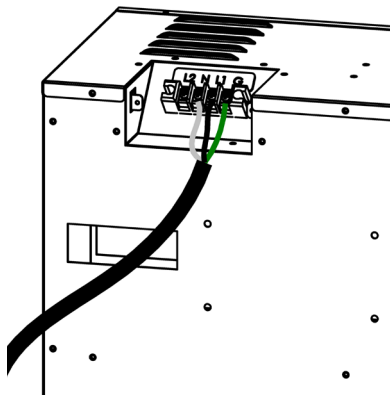


Fig. 5-2

Hardwiring Installaion (Continued)

240 Volt Power (10,000 BTUs):

This fireplace is equipped with the ability to optionally wire with 240 volts, which will supply 10,000 BTU's of heat.

A qualified electrician must wire this fireplace to a dedicated 220~240 volt, 20 amp, circuit.

Note

All 4 terminals will be used in the appliance junction box (Fig. 6-1): white (neutral), black (power L1), red, (power L2), and green/bare (ground) that are connected to 220V power source (circuit breaker panel).

220~240V supply connection must include a neutral. Connection must be 4 wires (3 primary wires and a ground).

- Ensure that power from the circuit breaker is off.
- Remove the 2 securing screws from the junction box cover plate, located on the top left-hand, back- side of the appliance (Fig. 6-1).
- On the terminal block, locate the fourth position terminal that has the label covering the L2 terminal. Remove the label.
- From the 4-wire, 240 volt power supply wire, connect the green/bare copper wire to ground (**G**), the white wire to neutral (**N**), the black wire to Line1 (**L1**), and the red wire to Line2 (**L2**) (Fig. 6-2).
- Re-secure the junction box cover plate using the 2 screws previously removed.

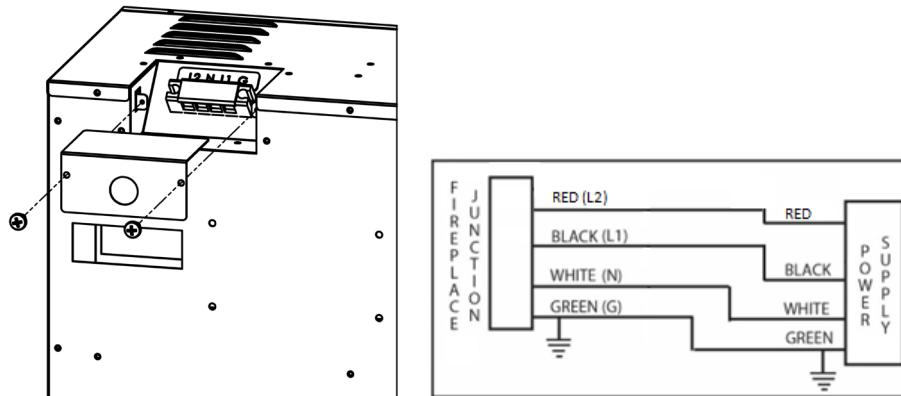


Fig. 6-1

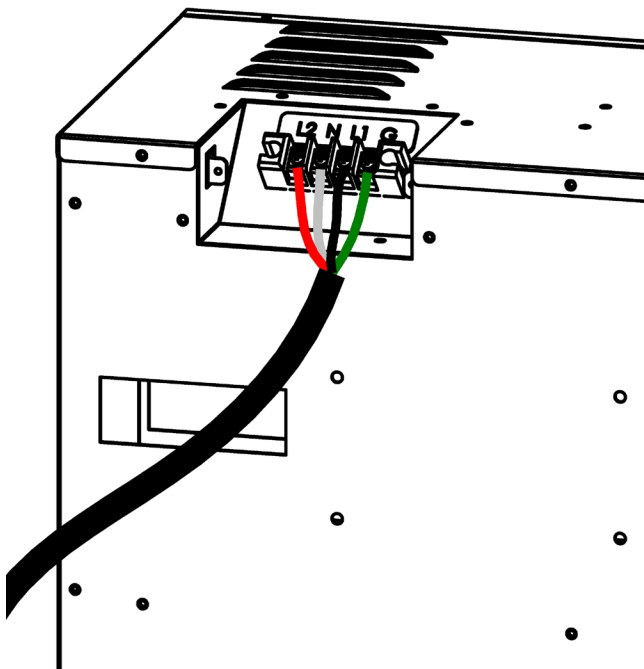


Fig. 6-2

Driftwood Logs and Crushed Glass Installation

- Front glass must be removed and the appliance must be mounted in its final location before the driftwood logs and crushed glass is installed.
- Install driftwood logs first, then add the crushed glass around logs.
- If crushed glass falls into the channel used by the front glass, preventing the front glass from being installed, the channel can be cleared by sliding the crushed glass along the channel until it falls into one of the cleanout slots.
- Photos below shows recommended log placement, but logs may be arranged to customer's liking.



Log placement shown in top-down orientation

30 - Log Placement



52 - Log Placement



60 - Log Placement



76 - Log Placement



100 - Log Placement



120 - Log Placement



Operation



Read and understand this entire owner's manual, including all safety information, before plugging in or using this product. Failure to do so could result in electric shock, fire, serious injury, or death.

Power

Connect only to a dedicated 110-120 (or optional 220-240 volt 20 Amp breaker (see IMPORTANT SAFETY INFORMATION). NEVER exceed the maximum amperage for the circuit.

Master Power Switch

Located above the Touch Control Panel is the Master Power Switch. Ensure the rocker switch is pressed in the "On" position prior to operating the fireplace.

Note: After resetting the Master Power Switch or from a loss of power, the fireplace takes 20-30 seconds before the fireplace is fully booted and operational.

Pairing the Remote

- With the fireplace ON, press and hold the Power button on the fireplace for 5 seconds until you hear a beep from the fireplace. "P1" will be shown on the display.
- Within 5 seconds of the fireplace beeping, repeatedly press the power button on the remote until the fireplace beeps again.
- Pairing must be completed within 5 seconds or the fireplace pairing will time out of pairing mode.

Operation (Continued)

Methods of Operation

This electric fireplace can be operated by the **Touch Control Panel** located on the UPPER right corner of the fireplace, or by the battery-powered **Remote Control**.

Touch Control Panel







Remote Control



Operation – Touch Control Panel



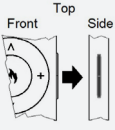






Touch Panel Operation		
Button	Function	Action
	<p>ON: Enables control panel functions. Turns on flame.</p> <p>OFF: Disables control panel functions. Turns off flame.</p>	<p>1. Press once: Indicator light turns on. Power turns on. All functions enabled.</p> <p>2. Press again: Flame turns off. Unit goes to standby. All functions turn off.</p> <p>3. Press & Hold for 5 seconds: Places fireplace in remote pairing mode. Displays P1 while pairing.</p>
	<p>FLAME BUTTON: Changes between flame presets.</p> <p>NOTE: Color effect stays on until power button is turned off.</p> <p>NOTE: This fireplace has memory function for flame presets.</p>	<p>1. Press once: Flame color illuminates.</p> <p>2. Press again until desired preset color is reached. In total, three styles of flame with six colors for each flame. 1C-2C-3C-4C-5C-6C</p>
	<p>HEATER BUTTON: Turns heater on and off.</p> <p>NOTE: The heater only works when the flame is on. If the flame is off, the heater will not turn on.</p> <p>NOTE: To prevent overheating, the heater fan will blow cool air for 8-10 seconds after the heater turns off.</p>	<p>1. Press once: Turns the heater and blower on.</p> <p>2. Press again until it cycles thru the heater settings. Settings: H0 - Heater and blower off. F - Fan only. H1 - Low Heat. H2 - High Heat.</p> <p>NOTE: Press and hold the heater button for 5 seconds to lock/unlock the heater and thermostat. H0 will be displayed when locked.</p>
	<p>TIMER BUTTON: Controls timer settings to turn off fireplace at selected time.</p> <p>Settings range from 30 min to 8 hours.</p>	<p>1. Press once: Indicator light turns on. Timer defaults to 0.5 hours.</p> <p>2. Press again until desired setting is reached. 00(off)-30-1H-2H-3H-4H-5H-6H-7H-8H</p>

Operation - Remote Control



Remote Control Operation		
Button	Function	Action
	<p>ON: Enables control panel functions. Turns on flame.</p> <p>OFF: Disables control panel functions. Turns off flame.</p>	<p>1. Press once: Indicator light turns on. Power turns on. All functions enabled.</p> <p>2. Press again: Flame turns off. Unit goes to standby. All functions turn off.</p>
	<p>HOME BUTTON: Returns the fireplace to the default color settings.</p>	<p>1. Press once: Flame video changes to flame style 1, color yellow. Ember bed and down light changes to orange. Flame speed changes to default and sound level changes to low.</p>
	<p>FLAME BUTTON: Cycles between flame styles and colors.</p> <p>Λ: Cycles up between presets of current flame styles.</p> <p>v: Cycles down between presets of current flame styles.</p> <p>++: Increases flame speed of current flame style and color.</p> <p>--: Decrease flame speed of current flame style and color.</p> <p>NOTE: This fireplace has memory function for flame.</p>	<p>1. Press flame button once: Flame switches to next flame style in the sequence.</p> <p>2. Press flame button again until desired style is reached. In total, three flame styles.</p> <p>3. Press Λ once: Changes up to the next preset of current flame style.</p> <p>4. Press Λ again until desired preset is selected from 1C-2C-3C-4C-5C-6C.</p> <p>5. Press v once: Changes down to the next preset of current flame style.</p> <p>6. Press v again until desired preset is selected from 6C-5C-4C-3C-2C-1C.</p> <p>7. Press + button to increase the flame speed. Displayed: 01-02-03.</p> <p>8. Press - button to decrease the flame speed. Displayed: 03-02-01.</p>

Operation - Remote Control (Continued)

Remote Control Operation		
Button	Function	Action
	<p>AUDIO BUTTON: Raises and lowers the audio from the fireplace.</p>	<p>1. Press once: Changes the volume level.</p> <p>2. Press again cycles between volume settings. Volume settings:</p> <p>S0 - Off S1 - Low S2 - Medium S3 - High</p>
	<p>DOWNLIGHT BUTTON: Cycles down light colors.</p> <p>NOTE: Downlight color effect stays on until power button is turned off. This fireplace has memory function for down light settings.</p>	<p>1. Press once: Cycle downlight.</p> <p>2. Press again until desired color is reached. In total ten colors and one fade mode. 01-02-03-04-05-06-07-08-09-10-11-00 (off)</p> <p>NOTE: Press and hold for 5 seconds to turn on night light mode.</p>
	<p>DOWNLIGHT BRIGHTNESS BUTTON: Makes downlight dimmer and brighter. NOTE: LED down light brightness stays on until power button is turned off.</p>	<p>1. Press once: Brightness becomes active.</p> <p>2. Press again until desired setting is reached. In total 5 levels. From L4 - L3 - L2 - L1 - L0 (off)</p>
	<p>MEDIA BED BUTTON: Cycles media bed colors.</p> <p>NOTE: Media bed color effect stays on until power button is turned off. This fireplace has memory function for media bed settings.</p>	<p>1. Press once: Turns on ember bed.</p> <p>2. Press again until desired color is reached. In total ten colors and one fade mode. 01-02-03-04-05-06-07-08-09-10-11</p>
	<p>MEDIA BRIGHTNESS BUTTON: Makes media bed dimmer and brighter.</p> <p>NOTE: LED media light brightness stays on until power button is turned off.</p>	<p>1. Press once: Brightness becomes active.</p> <p>2. Press again until desired setting is reached. In total 5 levels. From E4 - E3 - E2 - E1 - E0 (off)</p>
	<p>TIMER BUTTON: Controls timer settings to turn off fireplace at selected time. Settings range from 30 min to 8 hours.</p>	<p>1. Press once: Indicator light turns on. Timer defaults to 0.5 hours.</p> <p>2. Press again until desired setting is reached. 00(off)-30-1H-2H-3H-4H-5H-6H-7H-8H</p>
	<p>HEATER BUTTON: Turns heater on and off.</p> <p>NOTE: The heater only works when the flame is on. If the flame is off, the heater will not turn on.</p> <p>NOTE: To prevent overheating, the heater fan will blow cool air for 8-10 seconds after the heater turns off.</p>	<p>HEATER BUTTON: Turns heater on and off.</p> <p>NOTE: The heater only works when the flame is on. If the flame is off, the heater will not turn on.</p> <p>NOTE: To prevent overheating, the heater fan will blow cool air for 8-10 seconds after the heater turns off.</p>

Operation - Important Warnings

Note

When the heater is first turned on, a slight odor may be present. This is normal and should not occur again unless the heater is not used for a long period of time.

To improve operation, aim the remote control at the front of the fireplace. Quickly pressing buttons on the remote without allowing the fireplace to complete the previous operation may result in operational errors. Allow the fireplace to complete each command before issuing another.

Remote Control Battery Information

- Remote control uses one CR2032 battery (Included)



Never dispose of batteries in fire. Failure to observe this precaution may result in an explosion. Dispose of batteries at your local hazardous material centre

Adding the Remote Control Battery

- Looking at the backside of the remote, find the small hole with the paperclip symbol next to it.
- Using the supplied Push Tool (or a paperclip), push the tool into the small hole until the faceplate of the remote separates from the back plate of the remote.
- Carefully remove the faceplate of the remote, ensuring the LED at the front of the remote is not damaged.
- Taking the supplied battery, find the side that has the “+” symbol on it.
- Making sure that the “+” side of the battery is facing away from the green circuit board of the remote, slide the battery into the battery holder. The “+” of the battery should match the “+” of the battery holder.
- Carefully place the faceplate back onto the magnetic back plate of the remote, starting with inserting the front of the faceplate.

Replacing the Remote Control Battery

- Follow the previous steps of adding the remote control battery to open up the remote, exposing the old battery.
- Using the Push Tool (or a paperclip), push the old battery out of the battery holder.
- Dispose of the old battery at your local hazardous material processing center.
- See section “Adding the Remote Control Battery” to add a new battery.

Temperature Limiting Control

This heater is equipped with a Temperature Limiting Control. Should the heater reach an unsafe temperature, the heater will automatically turn Off.

To Reset:

- Remove power from the fireplace. Wait 5 minutes.
 - Turn off the appropriate breaker at the circuit breaker box.
- Inspect the fireplace to ensure no vents are blocked or clogged with dust or lint. Using a vacuum can help clear the areas if needed.
- Turn breaker switch back ON.
- If problem continues, have the wiring and outlet inspected by a professional.

Care and Maintenance

Cleaning



Always turn heater OFF from the breaker before cleaning, performing maintenance, or moving this fireplace. Failure to do so could result in electric shock, fire, or personal injury.

Never immerse in water or spray with water. Doing so could result in electric shock, fire, or personal injury.

Metal:

- Clean using a soft cloth, slightly dampened with soapy water.
- DO NOT use a brass polish or household cleaners as these products will damage the metal trim.

Glass:

- Use an ammonia-free glass cleaner sprayed onto a cloth or towel. Dry thoroughly with a paper towel or lint-free cloth.
- DO NOT use abrasive cleansers, liquid sprays, or any cleaner that could scratch the surface.

Vents:

- Use a vacuum or duster to remove dust and dirt from the heater and vent areas.

Plastic:

- Wipe gently with a slightly damp cloth and a mild solution of dish soap and warm water.
- DO NOT use abrasive cleansers, liquid sprays, or any cleaner that could scratch the surface.

Maintenance



Risk of electric shock! Do not open any panels! No user-serviceable parts inside!

Always turn the heater OFF from the breaker before cleaning, performing maintenance, or moving this fireplace. Failure to do so could result in electric shock, fire, or personal injury.

Electrical and Moving Parts:

- The fan motors are lubricated at the factory and do not require additional lubrication.
- Electrical components are integrated into the fireplace and are not serviceable by the consumer.

Storage:

- Store the fireplace in a clean, dry place when not in use.



WARNING! NO SERVICING of the internal or electrical parts should be performed by the consumer.

Replacement Parts List

REF.	SPARE PARTS, PART NUMBERS	Motion 30	Motion 52	Motion 60	Motion 76	Motion 100	Motion 120
1	Mirror Glass, Virtual Screen	ESF.1.A.PMN.30.MGVS	ESF.1.A.PMN.52.MGVS	ESF.1.A.PMN.60.MGVS	ESF.1.A.PMN.76.MGVS	ESF.1.A.PMN.100.MGVS	ESF.1.A.PMN.120.MGVS
2	Side Glass	ESF.1.A.PMN.SDG					
3	Side Trim	ESF.1.A.PMN.SDT					
4	LED Ember Bed Strip	ESF.1.A.PMN.LED.EBS					
5	LED Downlight Strip	ESF.1.A.PMN.LED.DLS					
6	Front Glass	ESF.1.A.PMN.30.WS	ESF.1.A.PMN.52.WS	ESF.1.A.PMN.60.WS	ESF.1.A.PMN.76.WS	ESF.1.A.PMN.100.WS	ESF.1.A.PMN.120.WS
7	Acrylic Ember Bed	ESF.1.A.PMN.30.AEB	ESF.1.A.PMN.52.AEB	ESF.1.A.PMN.60.AEB	ESF.1.A.PMN.76.AEB	ESF.1.A.PMN.100.AEB	ESF.1.A.PMN.120.AEB
8	Ember Bed Accessory	ESF.1.A.PMN.EBA					
9	Power Board	ESF.1.A.PMN.PBL					
10	Main Circuit Board	ESF.1.A.PMN.MCB					
11	USB Receiver	ESF.1.A.PMN.USB					
12	Speaker	ESF.1.A.PMN.SPK					
13	Speaker Board	ESF.1.A.PMN.SPKB					
14	Processor Board	ESF.1.A.PMN.PRB					
15	Virtual Screen Driver Board	ESF.1.A.PMN.VSB					
16	Virtual Breakout Board	ESF.1.A.PMN.VBB					
17	Main Power Switch	ESF.1.A.PMN.MPS					
18	Heater	ESF.1.A.PMN.HTR.110					
19	Blower	ESF.1.A.PMN.BLR.110					
20	Thermostat	ESF.1.A.PMN.TST					
21	Touch Controls	ESF.1.A.PMN.TCRL					
22	“L” Metal Nailing Flange	ESF.1.A.PMN.LMNF					
23	Virtual Screen	ESF.1.A.PMN.VS					
24	Wall Bracket	ESF.1.A.PMN.30.WB	ESF.1.A.PMN.52.WB	ESF.1.A.PMN.60.WB	ESF.1.A.PMN.76.WB	ESF.1.A.PMN.100.WB	ESF.1.A.PMN.120.WB
25	Remote	ESF.1.A.PMN.REM					

Replacement Parts List (continued)

REF.	SPARE PARTS, PART NUMBERS	Motion 30	Motion 52	Motion 60	Motion 76	Motion 100	Motion 120
26	Hardware Kit	ESF.1.A.PMN.HWK					
27	Memory Stick	ESF.1.A.PMN.MST					
28	Smoked Crush Glass	ESF.1.A.PMN.SCG					
29	Log, Motion, 1	N/A	N/A	ESF.1.A.PMN.LOG.1			
30	Log, Motion, 2	ESF.1.A.PMN.LOG.2					
31	Log, Motion, 3	ESF.1.A.PMN.LOG.3					
32	Log, Motion, 4	ESF.1.A.PMN.LOG.4					
33	Log, Motion, 5	ESF.1.A.PMN.LOG.5					
34	Log, Motion, 6	ESF.1.A.PMN.LOG.6					
35	Log, Motion, 7	ESF.1.A.PMN.LOG.7					
36	Log, Motion, 8	ESF.1.A.PMN.LOG.8					
37	Log, Motion, 9	ESF.1.A.PMN.LOG.9					
38	Log, Motion, 10	N/A	N/A	ESF.1.A.PMN.LOG.10			
39	Log, Motion, 11	ESF.1.A.PMN.LOG.11					
40	Log, Motion, 12	N/A	N/A	ESF.1.A.PMN.LOG.12			
41	Log, Motion, 13	ESF.1.A.PMN.LOG.13					
42	Log, Motion, 14	ESF.1.A.PMN.LOG.14					
43	Log, Motion, 15	ESF.1.A.PMN.LOG.15					
44	Log, Motion, 16	N/A	N/A	ESF.1.A.PMN.LOG.16			
45	Log, Motion, 17	N/A	N/A	ESF.1.A.PMN.LOG.17			

Troubleshooting / FAQ



Turn off the appliance completely and let it cool down before servicing. Only a qualified service person should service and repair this electric appliance.

Symptom	Problem	Solution
Fireplace will not come on when power button/switch is put into the ON position.	Appliance is not connected to electrical power.	Check the breaker switch if it is ON.
	Hardwire connections are not correct.	See “Hardwiring Installation” section.
	Appliance has overheated and the safety thermal switch has been tripped.	Turn off the circuit breaker. Allow fireplace to cool for 15 minutes and then turn the breaker back on.
	Main PCB board issue.	Inspect circuit boards for loose connections or obvious damage. Call EcoSmart Fire Customer Service for support on (888) 590.3335.
	Fireplace has not fully turned on.	Allow 20-30 seconds for the fireplace to fully turn on.
	House circuit breaker not in “ON” position.	Inspect circuit breaker. Turn breaker to “ON” position.
Fireplace turns off and will not turn on.	House circuit breaker has tripped.	Reset the house circuit breaker.
	Fireplace’s fuse has blown.	Inspect circuit boards for loose connections or obvious damage. Call EcoSmart Fire Customer Service for support on (888) 590.3335.
	Fireplace has overheated and the safety thermal switch has tripped.	Turn off the circuit breaker. Allow fireplace to cool for 15 minutes and then turn the breaker back on.
Remote control does not work.	Low/dead batteries.	Replace the batteries in the remote control.
	Remote receiver malfunction.	Ensure the remote receiver is not blocked. Replace touch-on control panel if necessary.
No warm air coming out of the fireplace.	Heater setting is not selected.	See “Operation” section.
	Heater has been locked out.	See “Operation” section.
	Room temperature is higher than fireplace setting (if not set to room temperature).	Reset temperature setting.
	Fireplace has overheated and safety thermal switch has tripped.	Turn off the circuit breaker. Allow fireplace to cool for 15 minutes and then turn the breaker back on.
	Hardwire connections are not correct.	See “Hardwiring Installation” section.
	Heater issue.	Inspect the blower and heater. Replace if necessary.
Heater shuts off automatically.	Room is too warm.	The heater has a built-in thermostat. It will shut off automatically once the pre-set temperature has been reached. It will turn on automatically if the room temperature drops below the pre-set temperature.

Troubleshooting / FAQ (continued)

Symptom	Problem	Solution
Dim or no flame.	Flame LCD issue.	Inspect the LCD and replace if necessary.
	Main PCB board issue.	Inspect circuit boards for loose connections or obvious damage. Call EcoSmart Fire Customer Service for support on (888) 590.3335.
Ember bed is dim or not glowing.	Brightness is not selected.	See "Operation" section.
	Ember bed LED issue.	Inspect circuit boards for loose connections or obvious damage. Call EcoSmart Fire Customer Service for support on (888) 590.3335.
	Main PCB board issue.	Inspect circuit boards for loose connections or obvious damage. Call EcoSmart Fire Customer Service for support on (888) 590.3335.
No difference from setting H1 to H2.	Main PCB board issues.	Inspect circuit boards for loose connections or obvious damage. Call EcoSmart Fire Customer Service for support on (888) 590.3335.
	Heating element issue.	Inspect circuit boards for loose connections or obvious damage. Call EcoSmart Fire Customer Service for support on (888) 590.3335.
Error code "E1"	Thermostat issue.	Inspect circuit boards for loose connections or obvious damage. Call EcoSmart Fire Customer Service for support on (888) 590.3335.



MAD Design USA

311 N. Robertson Blvd.
Private Mail Box #932
Beverly Hills, CA 90211
T +1 (888) 590.3335
E info@mad-usa.com

V2403
This product is distributed by EcoSmart Inc
DBA MAD Design USA.
