

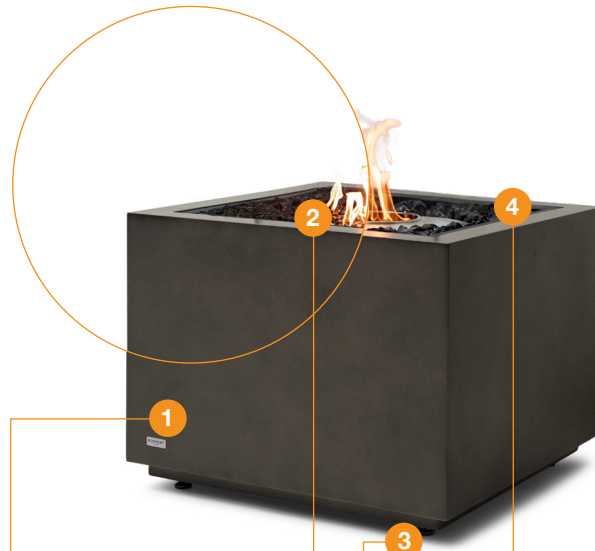
# Sidecar 24



Model shown paired with Cube 24  
side table by Blinde Design



# Sidecar 24 Design features



**1. Fluid™ Concrete Finish**  
Incredibly strong yet relatively lightweight, EcoSmart's concrete products incorporate revolutionary Fluid Concrete Technology. Fluid features a stain and impact-resistant barrier that protects the concrete from environmental weathering – even under extreme conditions and long UV exposure.

**Surround Colours/Finish**  
Available in three Fluid™ Concrete colours: Natural, Graphite and Bone.

**2. Triple Fuel Advantage**  
Choose between plumbed natural gas, readily available propane, or our eco-friendly bioethanol fuel system.

**3. Articulating Feet**  
Our Fire Pits and Tables feature 360° height-adjustable articulating feet, so you can achieve a perfectly level and stable model before operating the fireplace.

**Ground Fixing Brackets**  
Models come with fixing brackets for permanently locating into a fixed position.

**4. Decorative Media**  
Models come with black glass charcoal to add the finishing touch. They do not emit any toxic fumes, smoke, or ash and are extremely easy to maintain and clean.

**Relocate with Ease**  
When you select Bioethanol or Liquid Propane as your fuel source you'll never be tied down! With zero hard utility connections, relocating your fire is a breeze. Entertain on your own terms with EcoSmart Fire.

**5. Singly sensational, perfectly paired**  
Designed to be a standalone piece of functional furniture, or to perfectly pair with Blinde Design's Cube 24 side table to easily transform it into a striking and practical fire table. Use one, use two, use more!

**Global Compliance**  
This model complies with existing standards in the USA, Europe, UK and Australia. O-TL listed to UL 1370, EN 16647 BSI Certified and ACCC Safety Mandate compliant for bioethanol burners. LP/NG burners are UL/ULC listed to ANSI Z21.97-2017 and CSA 2.41-2017, and Gas Appliance Regulation 2016/426 as it applies to EU (CE) and UK (UKCA).



Natural  
(ethanol model shown)



Graphite  
(gas model shown)



Bone  
(gas model shown)

Disclaimer. All product specifications and data are subject to change without notice and believed to be correct at the time of publication. MAD Design Group (MDG), its affiliates, agents, and employees, and all persons acting on its or their behalf (collectively, "MAD Design Group"), disclaim any and all liability for any errors, inaccuracies or incompleteness contained herein or in any other disclosure relating to any product. MDG disclaims any and all liability arising out of the use or application of any product described herein or of any information provided herein to the maximum extent permitted by law. The product specifications do not expand or otherwise modify MDG's terms and conditions of purchase, including but not limited to the warranty expressed therein, which apply to these products. No license, express or implied, by estoppel or otherwise, to any intellectual property rights is granted by this document or by any conduct of MDG. Customers using or selling MDG products not expressly indicated for use in such applications do so entirely at their own risk and agree to fully indemnify MDG for any damages arising or resulting from such use or sale. Please contact authorised personnel from MDG to obtain written terms and conditions regarding products designed for such applications. Images are indicative only.

# Sidecar 24 Accessories

## Included accessories



### Decorative Glass Media

Our decorative Black Glass Charcoal is made from high-quality tempered glass.



E

### Jerry Can with Safety Spout and e-NRG bottle adaptor

Jerry Can allows safe storing/decanting of e-NRG ethanol. e-NRG adaptor connects the Safety Spout to an e-NRG bottle. *e-NRG not available in all countries.*



E

### Lighting Rod & Lighter

The Lighting Rod is designed to safely adjust the slider position on the burner. It is also used for the ignition procedure.



E

### AB8 Efficiency Ring

Placed over the internal burner vent, it serves to increase the efficiency of the burner as well as further stabilise the flame.

E Ethanol models only

## Optional accessories



1

### Glass Fire Screens

Pair with a glass fire screen, to stabilise the flame in windy conditions.

Designed to accommodate two different glass fire screens:

1. Recessed Square or
2. Raised Round.

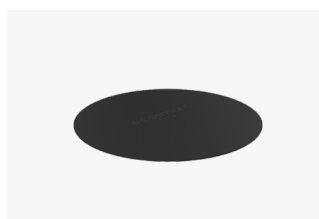


2



### All Seasons Cover

Take care and protect your investment with our stain and water resistant custom outdoor cover.



### Silicone Burner Cover

Black silicone burner covers protect burners from the elements when not in use.



### Glass Cover Plate

Enables fire pit tables to easily be transformed into a usable coffee table surface.



### Tank

Perfectly sized to discreetly hide a propane tank while also doubling as a functional side table or stool. Available in natural, graphite & bone concrete colours, or natural teak wood.

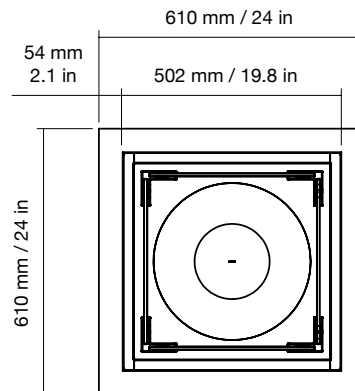
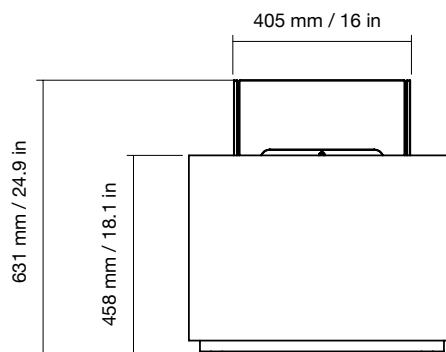
# Sidecar 24 Specifications

Made with a smaller footprint to suit smaller spaces. It's equally at home in larger spaces when paired with one, two or more Blinde Design's Cube 24 side tables.

## Burner Ventilation and Efficiency\*

Compatible Burner	Fuel Capacity	Heats on Average (Indoors)	Thermal Output Net (MAX per burner)	Approx. Burn Time	Minimum Room Size
AB8 (Ethanol)	8 L [2.1 Gal]	Over 60 m <sup>2</sup> [645 ft <sup>2</sup> ]	21.56 MJ/h, 20,433 BTU/h, 5.99 kW	7 - 9 hours	116 m <sup>3</sup> [4,096 ft <sup>3</sup> ]
With AB8 Efficiency Ring**		Over 30 m <sup>2</sup> [322.9 ft <sup>2</sup> ]	13.9 MJ/h, 12,860 BTU/h, 3.77 kW	9 - 11 hours	
Liquid Propane	NA	Outdoor use only	65,000 BTU/h, 19 kW	8 - 20 hours	Outdoor use only
Natural Gas				Unlimited	

Application <sup>1</sup>	Indoor & Outdoor
Surround Colours	<ul style="list-style-type: none"> <li><span style="display: inline-block; width: 12px; height: 12px; background-color: #333; border-radius: 50%; margin-right: 5px;"></span> Natural ESF.O.SDC.24.NA   ESF.O.SDC.24.NA.G</li> <li><span style="display: inline-block; width: 12px; height: 12px; background-color: #1a1a1a; border-radius: 50%; margin-right: 5px;"></span> Graphite ESF.O.SDC.24.GH   ESF.O.SDC.24.GH.G</li> <li><span style="display: inline-block; width: 12px; height: 12px; background-color: #ccc; border-radius: 50%; margin-right: 5px;"></span> Bone ESF.O.SDC.24.BO   ESF.O.SDC.24.BO.G</li> </ul>
Burner Colours	<ul style="list-style-type: none"> <li><span style="display: inline-block; width: 12px; height: 12px; background-color: #ccc; border-radius: 50%; margin-right: 5px;"></span> Stainless Steel</li> <li><span style="display: inline-block; width: 12px; height: 12px; background-color: #000; border-radius: 50%; margin-right: 5px;"></span> Black</li> </ul>
Materials	Fluid Concrete Surround, Grade 304 Stainless Steel Burner, with optional Black Ceramic Coating
Approx. Weight	49.9 kg [109.9 lb] Weight includes burner & glass charcoal.
Fuel Type	e-NRG Bioethanol, Liquid Propane or Natural Gas



\*These values are indicative only.

<sup>1</sup> LP/NG is suited for Outdoor use only. Bioethanol is suited for both Indoor/Outdoor use, however, additional parts are REQUIRED for indoor use. Please advise your Sales Representative at the time of purchase so that the product can be configured accordingly. This model complies with existing standards in the USA, Europe, UK and Australia. O-TL listed to UL 1370, EN 16647 BSI Certified and ACCC Safety Mandate compliant for bioethanol burners.

\*\*To comply with EN 16647 the Indoor Safety Tray & included AB8 Burner Efficiency Ring must be installed before operating indoors. LP/NG burners are UL/ULC listed to ANSI Z21.97-2017 and CSA 2.41-2017, and Gas Appliance Regulation 2016/426 as it applies to EU (CE) and UK (UKCA). Line drawings show concrete models with the optional Glass Fire Screen.

## FOR MORE INFORMATION PLEASE REFERENCE THE CLEARANCE & INSTALLATION MANUAL

Disclaimer. All product specifications and data are subject to change without notice and believed to be correct at the time of publication. MAD Design Group (MDG), its affiliates, agents, and employees, and all persons acting on its or their behalf (collectively, "MAD Design Group"), disclaim any and all liability for any errors, inaccuracies or incompleteness contained herein or in any other disclosure relating to any product. MDG disclaims any and all liability arising out of the use or application of any product described herein or of any information provided herein to the maximum extent permitted by law. The product specifications do not expand or otherwise modify MDG's terms and conditions of purchase, including but not limited to the warranty expressed therein, which apply to these products. No license, express or implied, by estoppel or otherwise, to any intellectual property rights is granted by this document or by any conduct of MDG. Customers using or selling MDG products not expressly indicated for use in such applications do so entirely at their own risk and agree to fully indemnify MDG for any damages arising or resulting from such use or sale. Please contact authorised personnel from MDG to obtain written terms and conditions regarding products designed for such applications. Images are indicative only.